

The logo for DONE, featuring the word "DONE" in a bold, teal, sans-serif font. The letter "D" is stylized with a white circular element on its left side. The logo is contained within a white rounded square with a thin teal border.

DONE

MCK SERIES LED DRIVERS

DL-150W-MCK SPEC V1.6

Features

- Class I structure
- Input voltage: 120-277 V ~ 50/60 Hz
- Efficiency: 95% (Typ.)
- Constant power drive and constant current output control mode
- Metal shell structure, protection grade: IP42
- Lightning protection level: differential mode 6kV, common mode 10kV
- When the dimming signal input is 0V, 0%, and 0KΩ, standby power consumption is less than or equal to 0.5W.(X version only)
- Function selection:
 - Output current is adjusted by external potentiometer(All version)
 - Isolated 3 in 1 dimming (0-10V,PWM,Resistor) :(S version only)
 - Online Programmable dimming: (P version only)
 - Isolated Auxiliary Power (optional) : 12V 200mA (X /P version only)
- Lifetime design: 5 years



Applications

Road lighting、Industrial lighting、Venue lighting
 Floodlight lighting、Landscape lighting、Plant lighting

Model list

Model NO.	Input voltage	Output power	Output voltage	The default current	Eff.	T.H.D	PF
DL-150W-V260A-MCK	120-277V 50/60Hz	150W	180-260Vdc	0.7A	≥95%	≤10%	≥0.95
DL-150W-V260S-MCK							
DL-150W-V260P-MCK							
DL-150W-V260X-MCK							

Note :

1. Test conditions of the above parameters: Ta=25℃, 230Vac input, full load operation for 30 minutes;
2. For 120-277Vac input, the rated power is 150W. Please ensure that the input voltage is within the allowable range.
 Refer to "THE OUTPUT POWER VS INPUT VOLTAGE" curve chart for details.

Input characteristics

Parameter	Min	Typ.	Max	Note
Rated input voltage	120Vac	230Vac	277Vac	
Input voltage range	108Vac		305Vac	
Rated frequency	47Hz	50/60Hz	63Hz	
Power factor	-	0.95	-	Full load, rated input voltage of 120-230Vac
	-	0.92	-	Full load, rated input voltage of 277Vac
T.H.D.	-	-	10%	100% load, 120Vac/60Hz, 230Vac/50Hz input
	-	-	20%	80%-100% load, 277Vac/60Hz input
Input current	-	-	1.5A	@120Vac full load
Inrush current	-	-	100A	230Vac, cold start (25°C)

Output characteristic

Parameter	Min	Typ.	Max	Note
Rated current DL-150W-V260A/S/P/X -MCK	-	0.58A	-	
Output current range DL-150W-V260A/S/P/X -MCK	0.4A	-	0.75A	
Output voltage range DL-150W-V260A/S/P/X -MCK	180V	-	260V	
Constant power output voltage range	200V		260V	Maximum output power 150W
Constant current output voltage range	180V		260V	Maximum output current 0.75A
No-load voltage DL-150W-V260A/S/P/X -MCK	-	-	300V	
Efficiency@120Vac DL-150W-V260A/S/P/X -MCK		92%	-	full load

Output characteristic

Parameter	Min	Typ.	Max	Note
Efficiency@230Vac DL-150W-V260A/S/P/X -MCK		95%	-	full load@230Vac
Accuracy of output current	-5%	-	+5%	full load
Output current ripple	-	5%	-	full load
Line regulation	-3%	-	+3%	full load
Load regulation	-3%	-	+3%	full load
Starting time	100ms	-	1000ms	Full load@120-277Vac

Note: The output current range is limited by the input and output voltage, please refer to "I-V WORKING AREA" for details.

Dimming characteristic

Dimming function		Min	Typ.	Max	Instructions
0-10V Dimming (Optional)	Safe applied voltage range	0V	-	12V	When the external voltage is $\geq 12V$, the dimming will fail
	Dimming output range	0%	-	100%	-
	Rated dimming voltage range	0V	-	10V	It can be set to negative dimming mode through program setting
PWM Dimming (Optional)	PWM high level	9.5V	-	10.5V	-
	PWM low level	0	-	0.3V	-
	PWM frequency band	300Hz	-	2000Hz	-
	PWM duty cycle	0	-	99%	Output full power at 99% duty cycle
Resistor Dimming (Optional)	External resistance value	0K Ω	-	100K Ω	-
	Dimming output range	0%	-	100%	-

Note:

- Output current of dimming port: 100uA (typical value);
- The maximum withstand voltage of the dimming port is 12V. If the external power supply voltage exceeds 12V or the signal line is Connected reversely, the power supply will be damaged.

Protection

Function	Function instructions
Output overload protection	Protection mode: hiccup mode, recovers automatically after fault condition is removed.
Output short circuit protection	Hiccup mode: recovers automatically after fault condition is removed
Over temperature protection	Self-recovery type: when the housing temperature is greater than 90°C, the output power decreases gradually.
Output over-voltage protection	Protection mode: Hiccup mode or clamped in output highest voltage , the product is not damaged, LED driver works normally after fault condition is removed.

Note:

1. Unless otherwise specified, all specifications and parameters shall be measured at the conditions of 230Vac (50Hz), rated load and 25°C of ambient temperature;
2. Including setting error, line regulation and load regulation.

Environmental

Environmental categories	Parameter
Working temperature	-40 ~ +55°C @120-277Vac (refer to "Life Curve ")
Working humidity	20 ~ 95% RH, non condensing
Case temperature	90°C
Storage temperature, humidity	-40~+80°C, 10 ~ 95% RH
Resistant to vibration	10 ~ 500Hz, 5G 12 min/cycle, X, Y, Z axis 72 min each
MTBF	100Khrs min. MIL-HDBK-217F (Ta=25°C)
Lifetime	70000H@T case 75°C (refer to "Lifetime VS T case curve ")

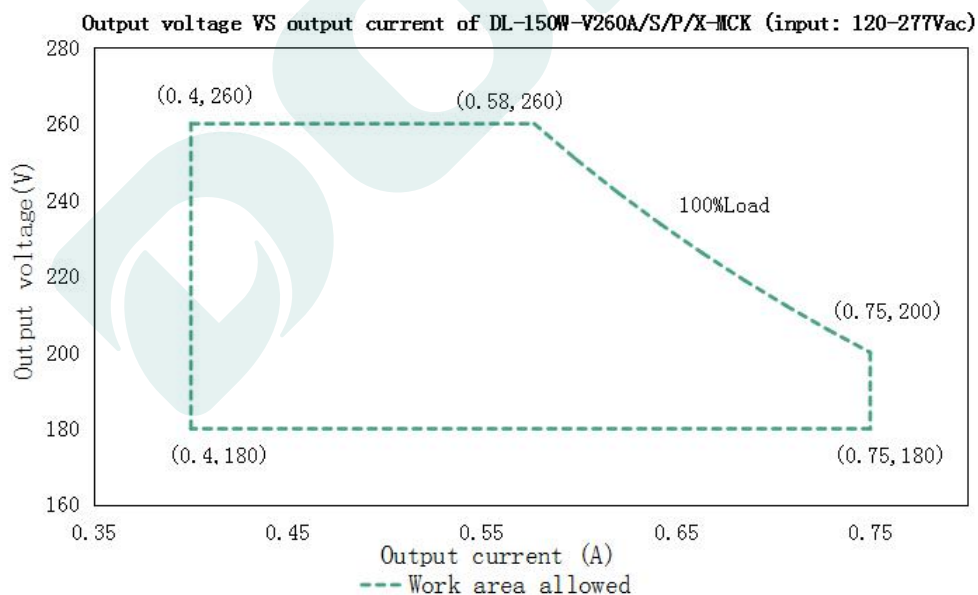
Safety and EMC

Safety categories	Standard
Safety	GB19510.1、GB19510.14、EN61347-1、EN61347-2-13、IEC61347-1、IEC61347-2-13、AS/NZS61347.1、AS61347.2.13 UL8750;
EMC	EN 55015、EN 61547、EN 61000-3-2、GB/T 17743、GB17625.1、EN 61000-3-3 FCC Part 15
Surge protection	Differential mode L-N $\pm 6KV$ (2 ohm), common mode L, N-PE $\pm 10 KV$ (12 ohm); Refer to IEC61000-4-5 2014 Criterion B
High-pot test	I/P-PE :1.5KVac I/P-DIM:1.5KVac O/P-DIM:1.5KVac
Insulation impedance	I/P-PE:100M Ω / 500VDC; 25 $^{\circ}C$ / 70% RH
Leakage current	<0.7mA@277Vac

Note:

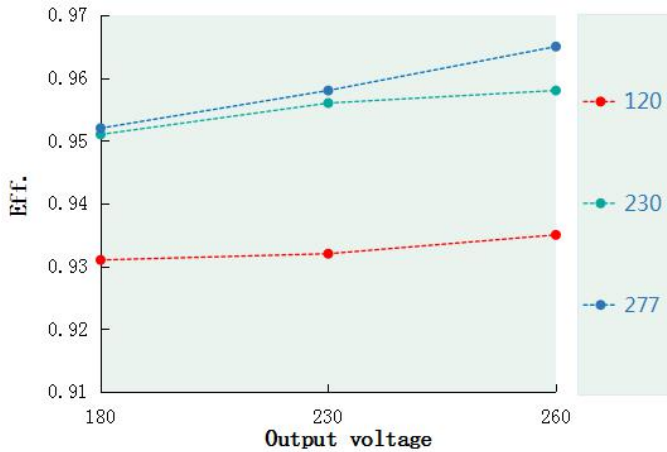
- The driver is considered as a component that will be operated in combination with the final equipment. Since EMC performance will be affected by the complete installation, the final equipment manufacturers must re-qualify EMC Directive on the complete installation again.
- Because the driver will be in OVP restart model when it works in no-load, so the driver on-load is recommended.

I-V Working area

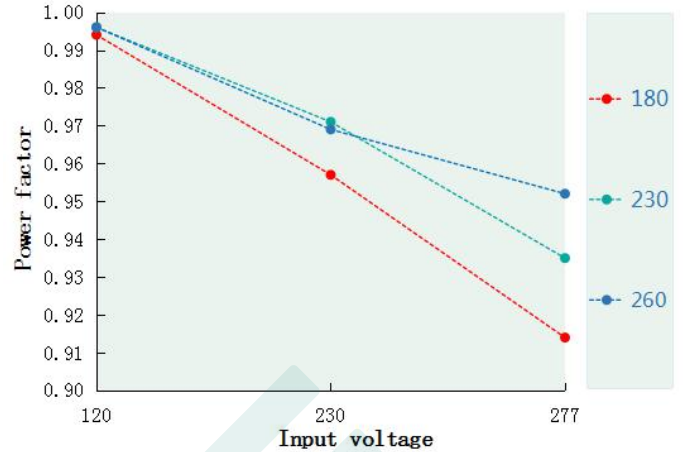


Load	Output								
Io_MAX	180V	190V	200V	210V	220V	230V	240V	250V	260V
Load working Voltage	0.75A	0.75A	0.75A	0.715A	0.68A	0.65A	0.625A	0.6A	0.58A
Po_MAX	135W	142.5W	150W	150W	150W	150W	150W	150W	150W

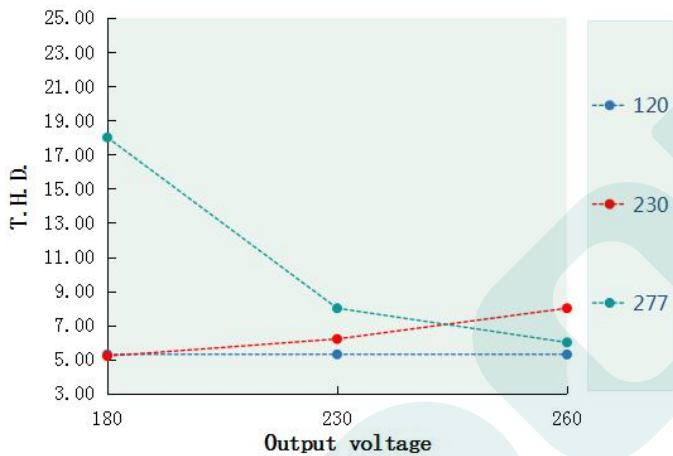
Eff. VS Output voltage(DL-150W-V260A/S/P/X -MCK)



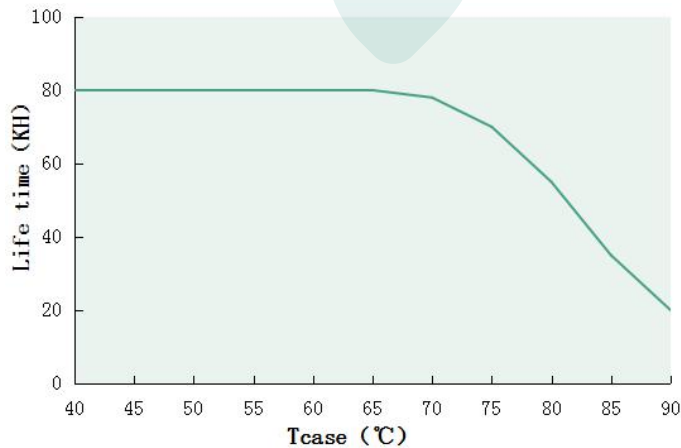
Power factor VS Input (DL-150W-V260A/S/P/X -MCK)



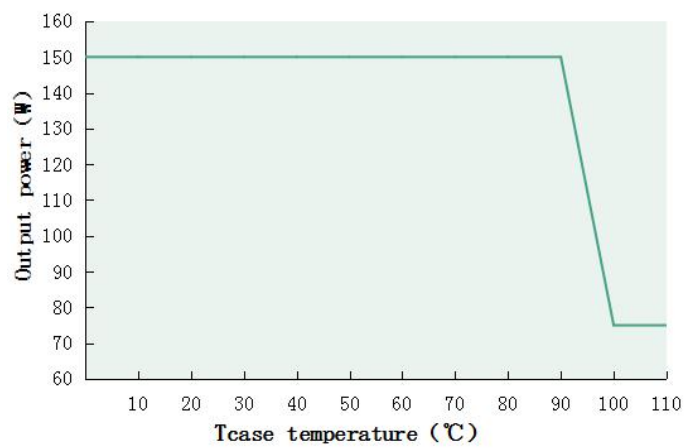
T.H.D. VS Output voltage(DL-150W-V260A/S/P/X -MCK)



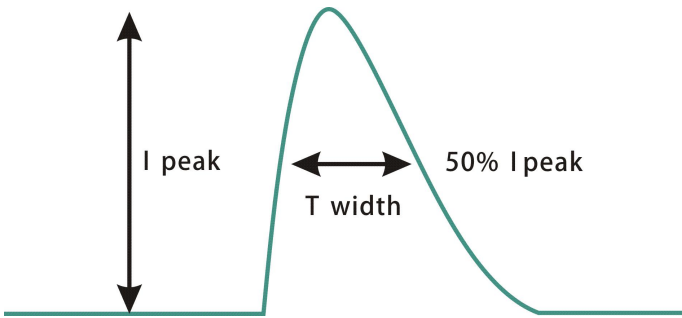
Lifetime VS T case (DL-150W-V260A/S/P/X -MCK)



Output power VS T case (DL-150W-V260A/S/P/X -MCK)

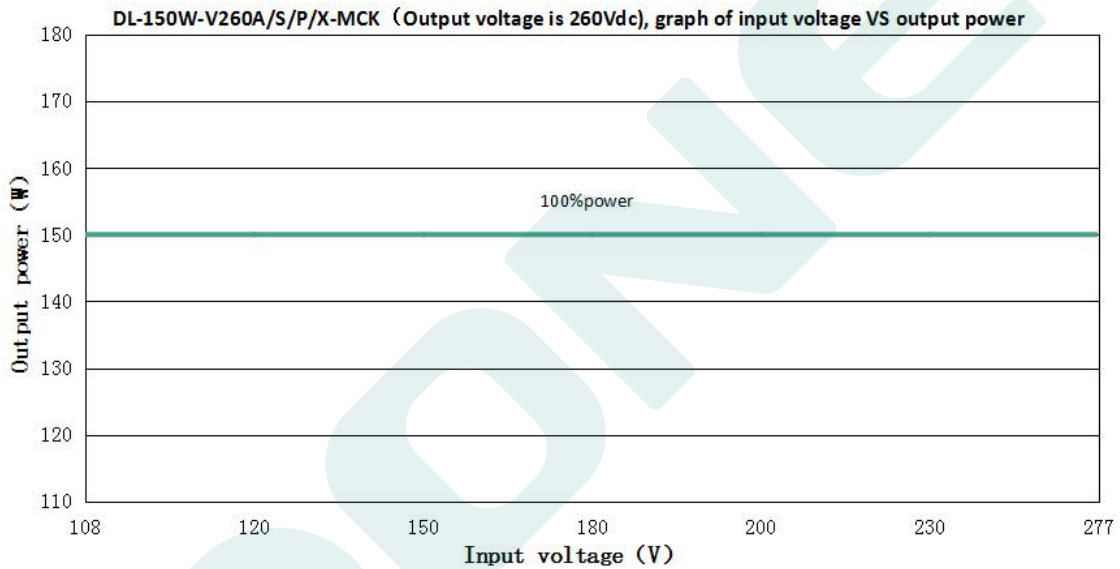


Inrush Current(DL-150W-V260A/S/P/X -MCK)



Input voltage	Peak current	T(@50% Peak current)
120Vac	37A	142us
230Vac	77.2A	146us
277Vac	89.7A	158us

Output power VS Input voltage



DL-150W-V260A/S/P/X- MCK (When the output voltage is 260Vdc, the rated output current value and output power corresponding to different input voltage)

Input Voltage	108Vac	120Vac	150Vac	180Vac	200Vac	230Vac	277Vac
Iout	0.46A	0.46A	0.46A	0.46A	0.46A	0.46A	0.46A
Pout	120W	120W	120W	120W	120W	120W	120W

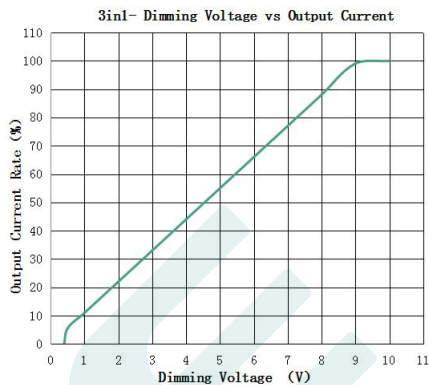
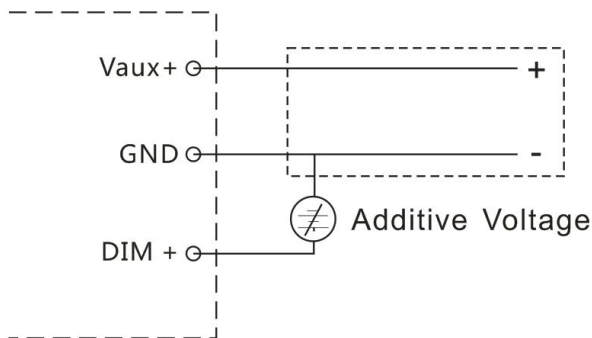
Dimming operation

※ **Three-in-one dimming function (S/P/X version only)**

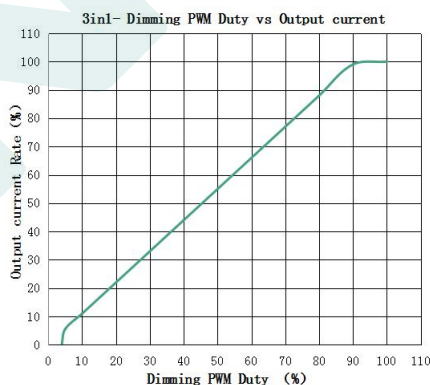
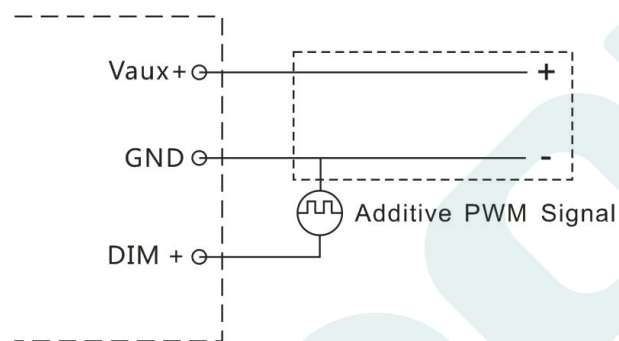
A. connect a resistor 0-100K or 0-10V DC voltage or 10V PWM signal between DIM+ and DIM- to adjust the output current.

B. output current of dimming port: 100uA (typical value). (to be determined!)

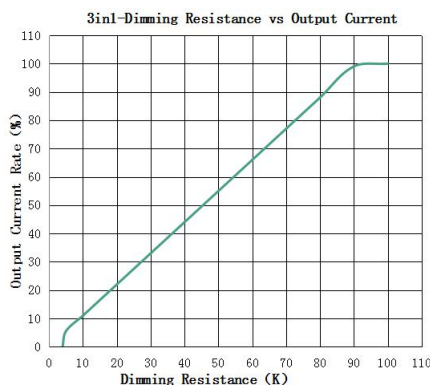
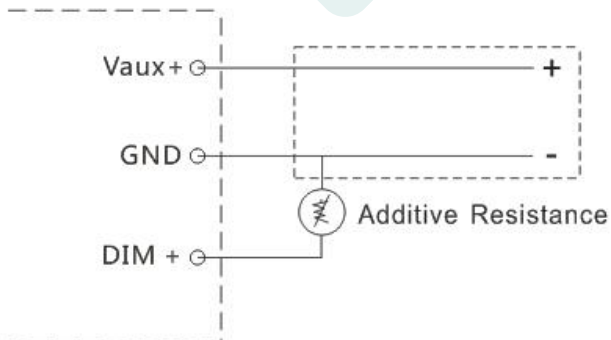
◎ **Applied voltage of 0-10V:**



◎ **Applying additive 10V PWM signal (Frequency range: 300Hz-2KHz) :**



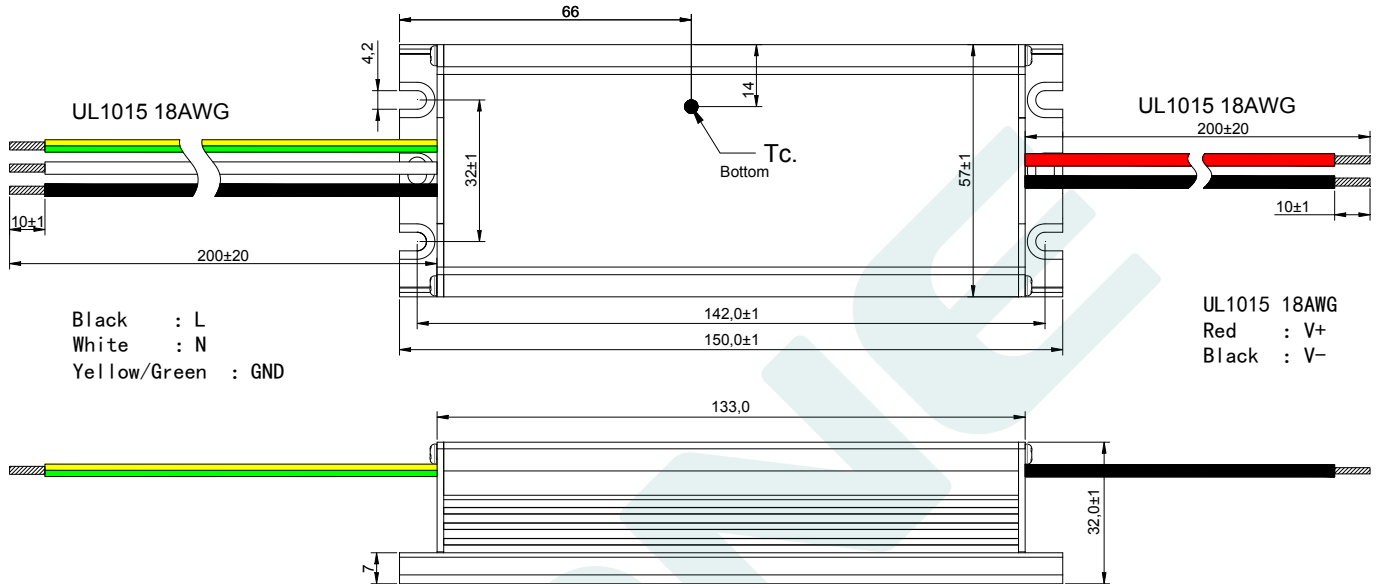
◎ **Applied an additional 0-100K resistor:**



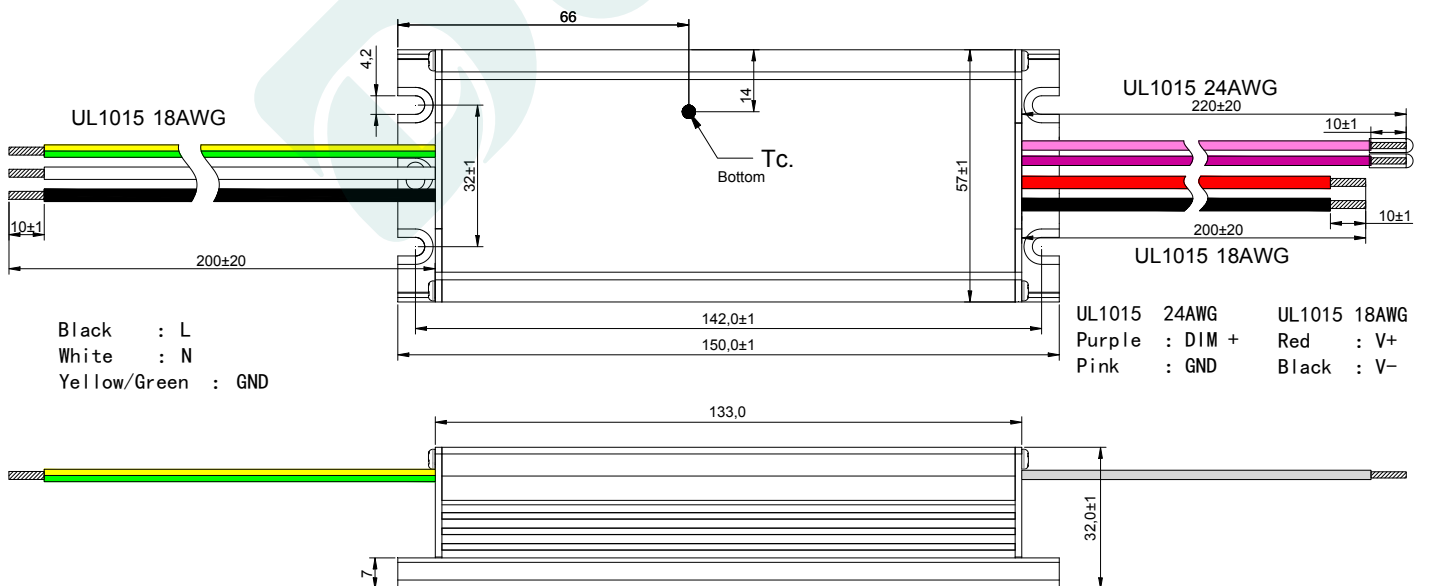
Mechanical Specification

Size (mm) L150mm*W57mm*H32mm

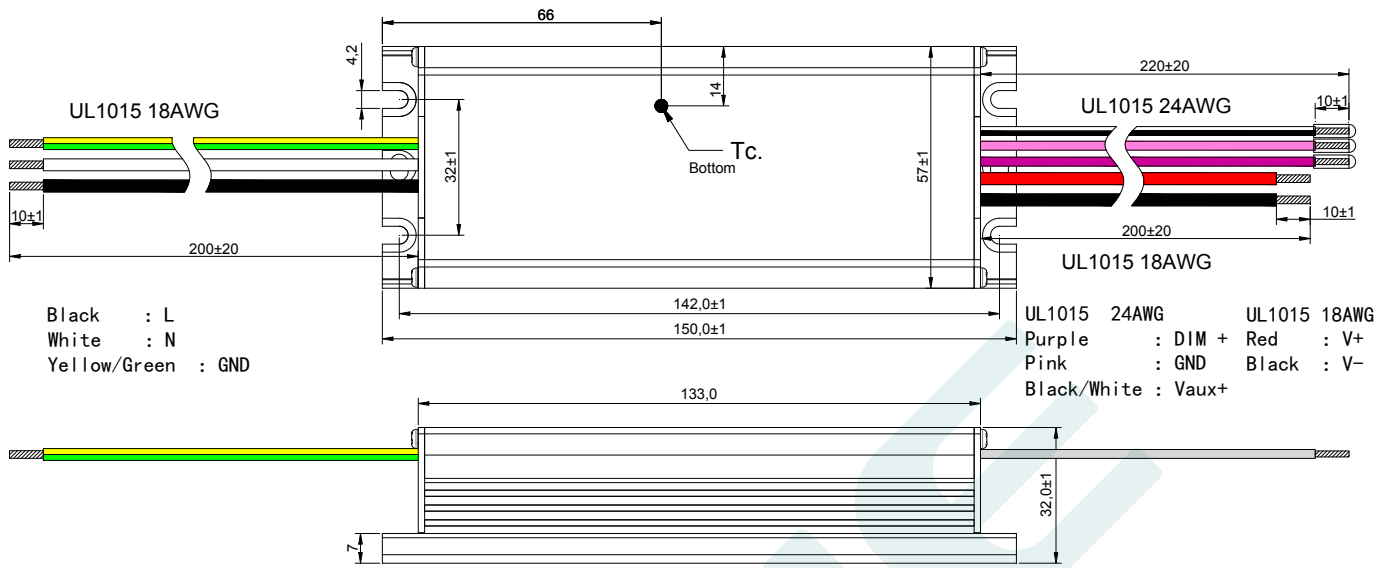
**General product dimension drawing
DL-150W-V260A-MCK**



**General product dimension drawing
DL-150W-V260S -MCK**



General product dimension drawing
DL-150W-V260X/P -MCK

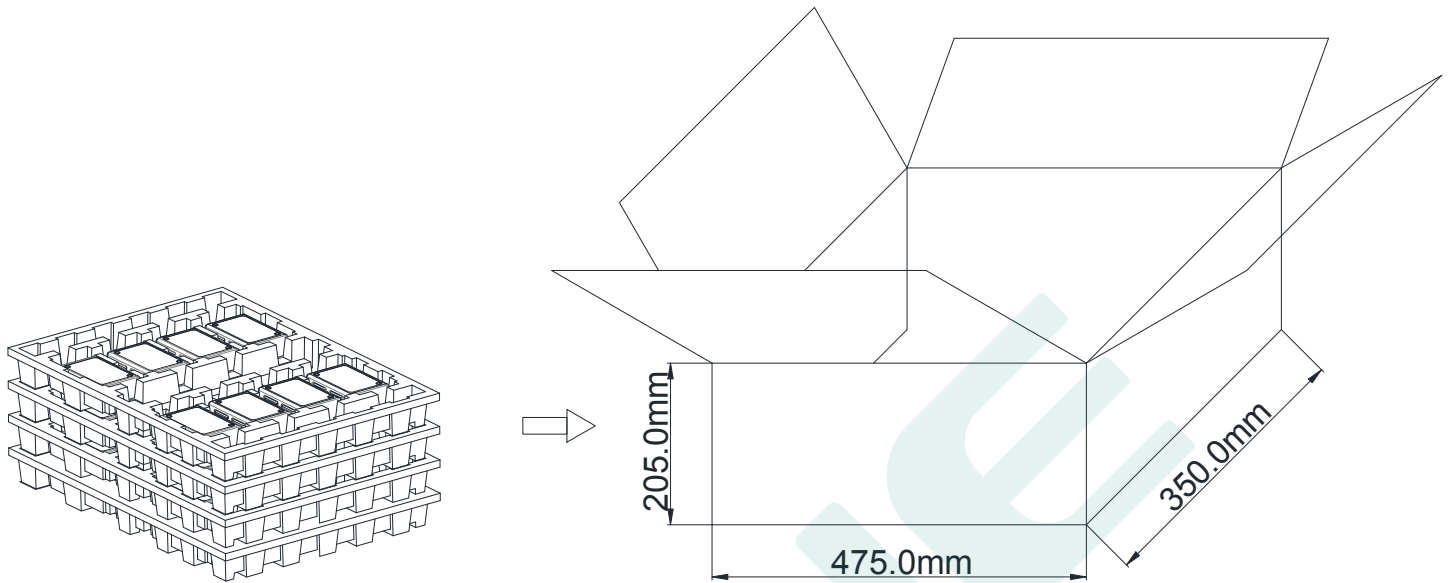


Weight

Weight	410 g
--------	-------

Packaging

Packaging (mm) L475*W350*H205



Note: One Carton 4 layers and 8 pcs each layer, total 32pcs/carton.

Note:

1. According to the certificate obtained by the LED DRIVER, the LED DRIVER with the English label is sold in Europe, America and India.
2. The LED DRIVER with Chinese label is only used for China market.

Version

DATE	DESCRIPTION	REV.	CHECK
2021.12.24	Initial version.	V1.0	
2022.4.21	Add Inrush Current,update Ta,Tc temperature and OTP	V1.1	
2022.4.26	Add standby power consumption,Output current ripple	V1.2	
2022.5.12	1.Update: When the dimming signal input is 0V, 0%, and 0KΩ , standby power consumption is less than or equal to 0.5W.(X /P version only) 2.Add TC point position on the shell.	V1.3	
2022.5.17	Change: When the dimming signal input is 0V, 0% and 0KΩ , standby power consumption is less than or equal to 0.5W.(X version only).	V1.4	
2022.8.4	Update: .Because the driver will be in OVP restart model when it works in no-load, so the driver on-load is recommended.	V1.5	
2022.11.8	Updated: Graph of output power VS input voltage.	V1.6	

MANUFACTRUER

EDIT	CHECK	APPROVE